

Product Highlights

Robust Design

High EMC endurance, fanless design, and a wide operating temperature range combined with IP30 housing to withstand harsh operating environments.

Industrial Deployment

Compact, plug-and-play form factor design that supports DIN rail mounting to allow for flexible and swift deployment.

Flexible Availability

8 Gigabit Ethernet PoE ports for various network deployments, in addition to 2 SFP uplink ports for long distance connections.



DIS-100G-10P

Gigabit Industrial Unmanaged PoE Switch

Key Features

Adaptable Application

- SFP ports for long distance connections
- Extend PoE transmission up to 250 meters with data rates of up to 10 Mbps
- Plug-and-play installation

Robust and High-Redundancy Design

- Fanless, passive cooling design
- Industrial-grade operating temperature (-40 - 75°C)
- High EMS endurance
- Durable IP30-rated housing
- Dual power input for redundant power supplies
- Built-in 6 KV surge protection on copper ports

Advanced Features

- 9K jumbo frames
- IEEE 802.3az Energy Efficient Ethernet
- Power saving by link status

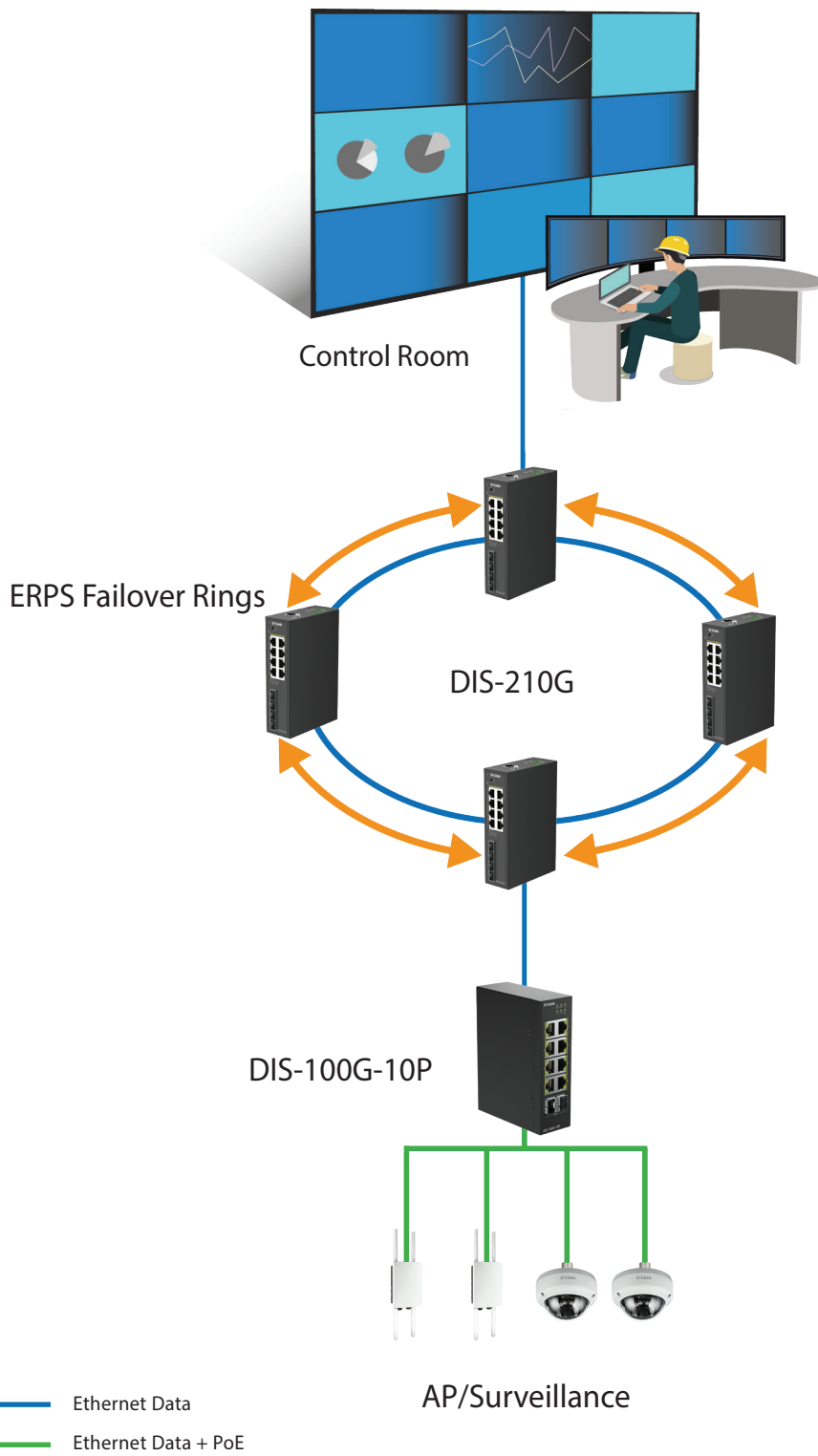
The DIS-100G-10P Gigabit Industrial Unmanaged PoE Switch features a robust design making it ideal for deployment in industrial and outdoor cabinet surveillance settings and capable of withstanding the harshest environments. In addition, the DIS-100G-10P is plug-and-play, allowing for effortless and swift deployment.

Durable, Reliable, and Efficient

The DIS-100G-10P is housed in a highly resistant IP30-rated metal casing to protect the switch from harsh environmental conditions. High electromagnetic susceptibility (EMS) protects the DIS-100G-10P from undesirable effects when operating in environments with strong electromagnetic interference. Meanwhile, the fanless design extends the life of the DIS-100G-10P while also enabling them to operate in a wide temperature range from -40 °C up to 75 °C. With DIN rail mounting capability, the DIS-100G-10P can fit seamlessly into your industrial equipment infrastructure. In addition, the DIS-100G-10P supports dual power input, which allows for a redundant power supply configuration to make sure the switch continues to operate in the event of a primary power supply failure.

Green Ethernet Technology

The DIS-100G-10P features green technology; IEEE 802.3az Energy-Efficient Ethernet (EEE). Energy-Efficient Ethernet reduces the power consumption of the switch when network utilization is low, effectively lowering the cost of ownership during periods of inactivity.



Technical Specifications	
Hardware Version	A1
Interfaces	<ul style="list-style-type: none"> • 8 x GE PoE ports • 2 x 1G SFP ports
Port Functions	<ul style="list-style-type: none"> • IEEE 802.3 for Ethernet • IEEE 802.3u for Fast Ethernet • IEEE 802.3z for Gigabit fiber • IEEE 802.3az Energy-Efficient Ethernet (EEE)
Media Interface Exchange	Auto MDI/MDIX adjustment for all twisted-pair ports
Performance	
Switching Capacity	20 Gbps
Transmission Method	Store-and-forward
MAC Address Table	4K
Maximum 64 Byte Packet Forwarding Rate	14.88 Mpps
Packet Buffer Memory	2 Mbits
PoE	
PoE Standards	IEEE 802.3af/at
PoE Capable Ports	8 (Ports 1–4 support PoE transmission up to 250 meters at data rates of 10 Mbps. Cat 5e or Cat 6 cables should be used for this application. The extended distance may be affected by the environment, cable quality, and connected devices.)
PoE Power Budget	<ul style="list-style-type: none"> • 240 W • 30 W per port
LEDs	
Power (per device)	√
Link/Active/Speed (per RJ-45 port)	√
Link/Active/Speed (per SFP port)	√
Physical	
Power Input	48 to 57 VDC terminal block dual input
Maximum Power Consumption	Maximum: 244.86 W (w/ PoE) 4.86 W (w/o PoE)
Standby Power Consumption	Maximum: 0.54 W
Heat Dissipation	837.704 BTU/hr
MTBF	> 200,000 hours
Operating Temperature	-40 to 75°C (-40 to 167°F)
Storage Temperature	-40 to 85°C (-40 to 185°C)
Operating Humidity	5% to 95% relative humidity

Storage Humidity	5% to 95% relative humidity
Material	IP30-rated metal casing
Installation	DIN rail
Dimensions (L x W x H)	130.60 x 99.00 x 44.00 mm (5.14 x 3.90 x 1.73 in)
Weight	0.44 kg (0.97 lbs)
Certifications	
Safety	cUL, CB, CE, BSMI
EMI	CE Class A, VCCI Class A, FCC Class A, IC, BSMI, RCM
Order Information	
DIS-100G-10P	8 Ports GE PoE + 2 Ports 1G SFP Industrial Unmanaged Switch, 240W, DIN
Optional SFP Transceivers	
DIS-S301SX	1000BASE-SX, multi-mode, 550 m, -40 to 85 °C operating temperature
DIS-S302SX	1000BASE-SX, multi-mode, 2 km, -40 to 85 °C operating temperature
DIS-S310LX	1000BASE-LX, single-mode, 10 km, -40 to 85 °C operating temperature
DIS-S330EX	1000BASE-EX, single-mode, 30 km, -40 to 85 °C operating temperature
DIS-S350LHX	1000BASE-LHX, single-mode, 50 km, -40 to 85 °C operating temperature
DIS-S380ZX	1000BASE-ZX, single-mode, 80 km, -40 to 85 °C operating temperature